

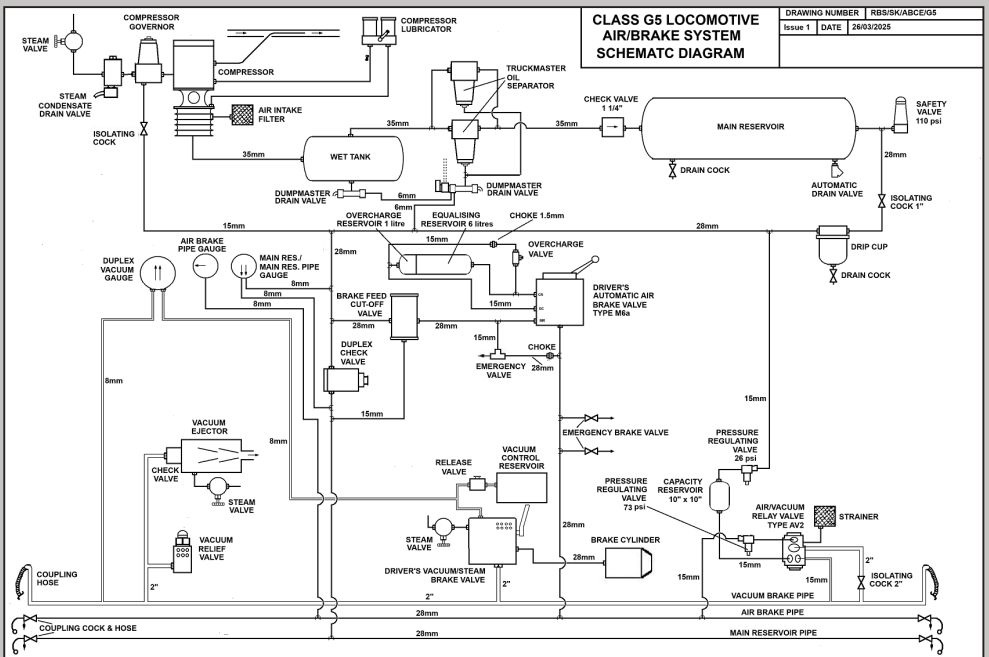


Pipes Are Calling Fund!

As we move forward with the braking system for the locomotive and source all the relevant components, we will need a lot of pipes.

So, to fund the purchase of 2" steel and numerous lengths of copper pipes and associated fittings we are launching the 'Pipes Are Calling Fund' with a suggested donation of £180. Either as a one off payment or by standing order as a donation or shares in the company (welcoming the 30% EIS tax relief benefit for UK taxpayers)

We can then stockpile what we need and have it available for when it is required. Also, we can get what we need ahead of any inevitable price increases.



Alan Parkin

The schematic of required components

I would like to contribute to the 'Pipes are calling' Fund to help build No. 1759!

Full Name: _____

Address: _____

Postcode: _____

Telephone Number: _____

Email: _____

I have enclosed a cheque for £ 180.00 made payable to 'Class G5 Locomotive Co Ltd.'

I have completed the standing order and would like to make:

3 payments of £60.00

6 payments of £30.00

___ payments of £__.

Please tick this box if you would like your contribution to be shares in the company

Only complete the section below if you intend paying monthly

Account Holders Full Name: _____

Bank Name and Address: _____

Please pay monthly on the 1st of each month,

the sum of _____ (£ _____), for _____ months,

commencing with the first payment in _____ (month) _____ (year), to

Nat West, sort code 52-30-18 for the credit of 'Class G5 Locomotive Co Ltd.'

(Acc. No. 41639626) and charge my account no: _____

and sort code: _____-_____-_____ therewith.

This standing order is in addition to any other standing order in favour of this account.

Signature: _____

Print Name: _____

Date: _____

Please return to: Richard Maughan, Class G5 Locomotive Co Ltd, Unit 8S, Hackworth Industrial Park, Shildon, Co Durham DL4 1HF.

Please confirm you are happy for us to hold

this data and contact you (circle as appropriate): **Email** **Post** **Telephone**